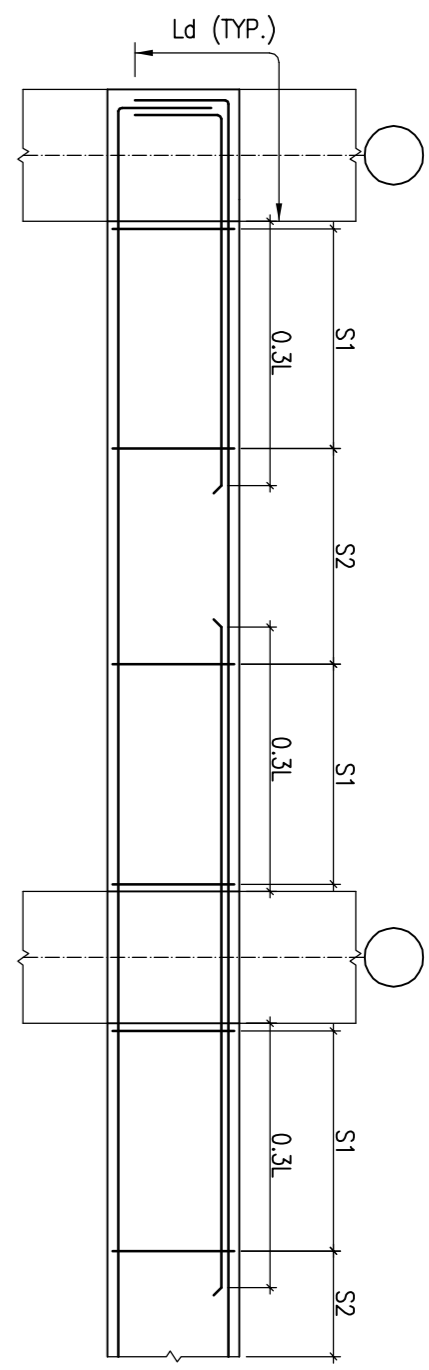


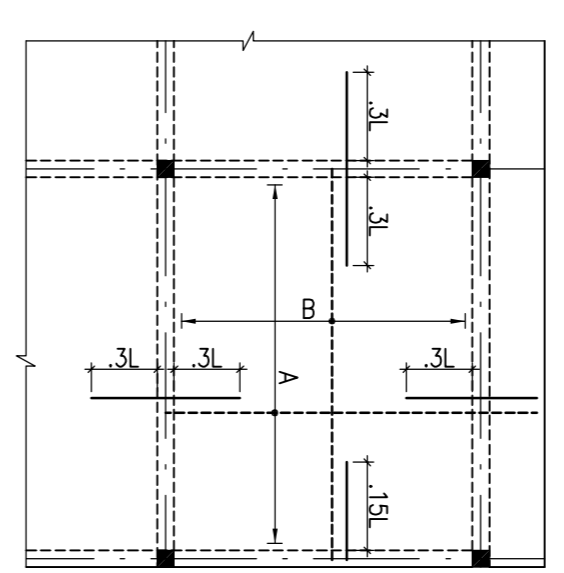
The drawing with all its contents is the sole intellectual property of the Hospital Services Consultancy Corporation (India) Ltd. Copying of this drawing or part thereof or its use in any form whatsoever without the written permission of HSCC is prohibited.

NOTES

1. ALL DIMENSIONS ARE IN mm & LVS IN m.
2. READ IN CONJUNCTION WITH RELEVANT ARCH. DRG.
3. FINISHED FLOOR LVL TO BE CONSIDERED. AS/ARCH DRG. THE SLAB TOP LEVEL TO BE WORKED OUT SUITABLY CONSIDERING FLOOR FINISH THICKNESS.
4. CLEAR COVER OF R/F TO BE AS BELOW:-
 FOUNDATION = 50mm
 COLUMN = 40mm
 BEAM = 30mm
 SLAB = 25mm
5. CONC. MK. TO BE M-20 FOR ALL RCC WORK AS PER IS:456-2000
6. ALL R/F BARS TO BE F450d Mpa. HYSD OR TMT STEEL AS PER IS:1786.
7. ALL LAP LENGTHS = 50xSMALLER BAR ϕ . ALL LAPS TO PLANNED SUITABLY AS PER SITE REQUIREMENT.
8. DEVELOPMENT LENGTH = 50xBAR ϕ .
9. SAC ASSUMED 100 KN/M² AT 2.0 METER BELOW N.G.L.



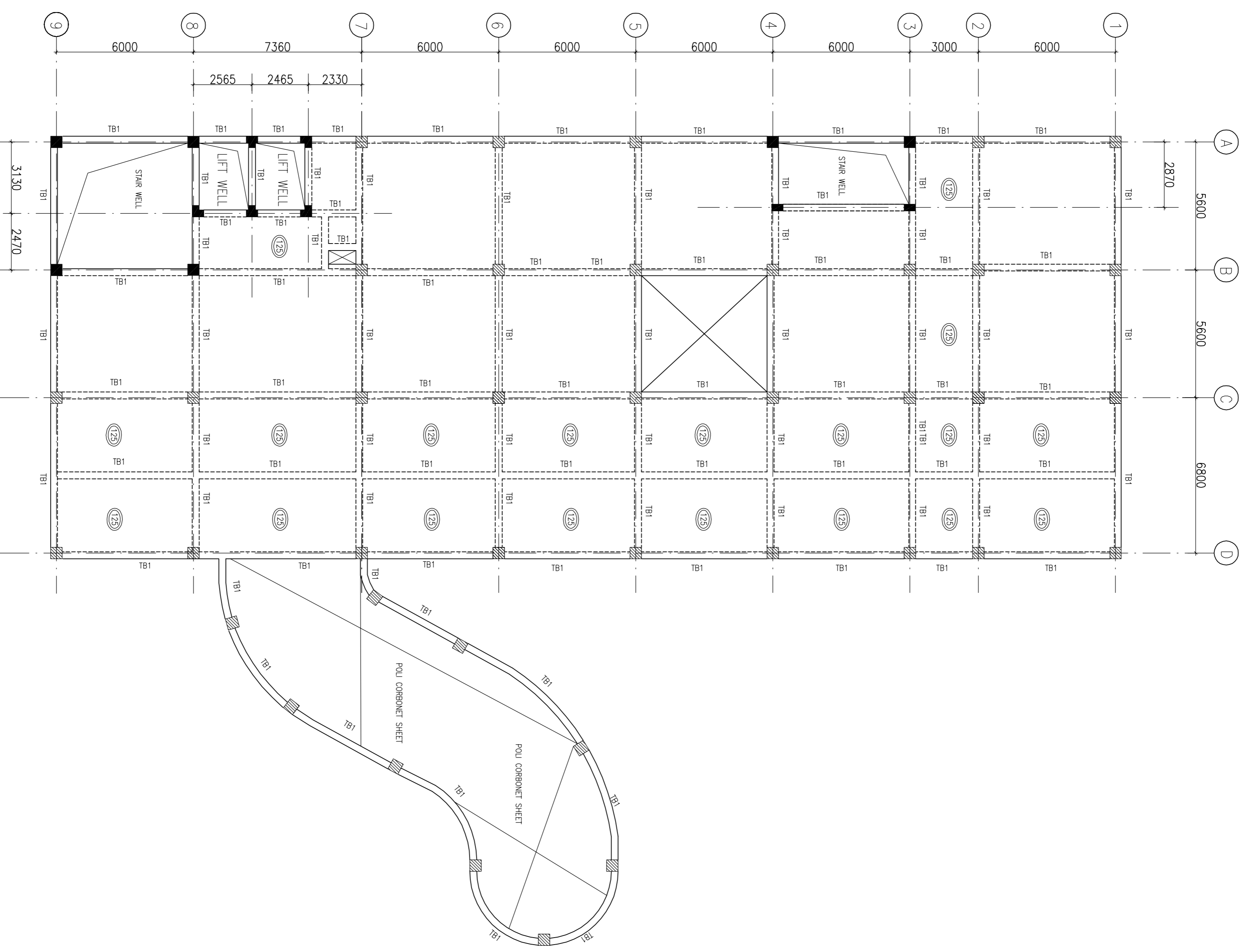
TYP. BEAM R/F DETAILS



TYP. SLAB R/F DETAIL

BEAM SCHEDULE:-

| BEAM MKD. | SIZE |
|-----------|---------|
| TB1 | 300x600 |



TERRACE BEAM FRAMING PLAN
(SLAB THICKNESS 150mm U.N.O.)

TITLE

PROPOSED
100 BEDDED
HOSPITAL AT PILIBHIT

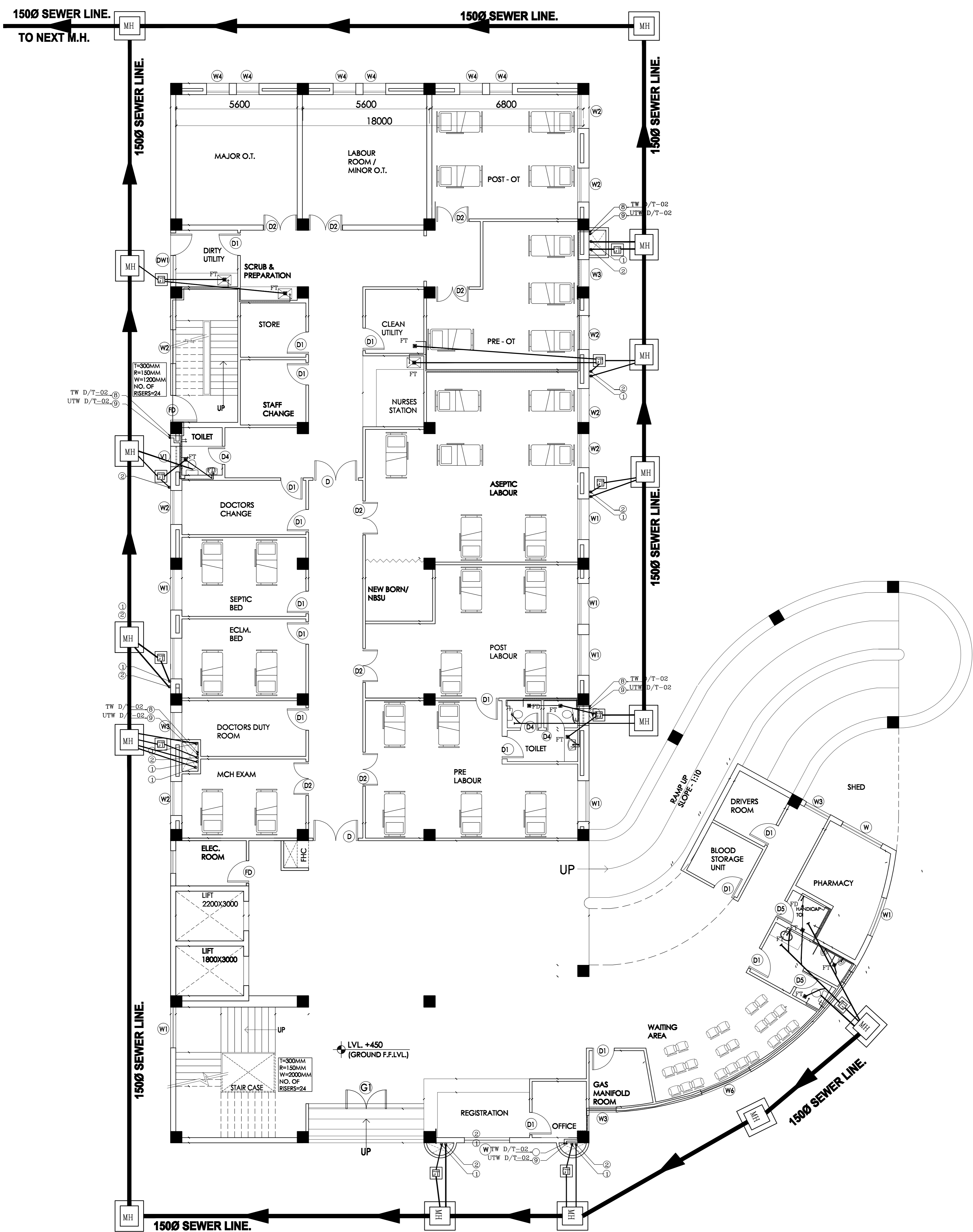
TERRACE LVL. BEAM FRAMING PLAN

HSCC/SJP/D&E/ST-1-101

| | |
|--------------|----------|
| Drawing No. | REV. 03 |
| HSCC/JOB No. | JUN-2013 |
| SCALE | DATE |
| APPROVED | REVIEWED |
| | PREPARED |

HSCC INDIA LTD.
A GOVERNMENT OF INDIA ENTERPRISE

HSCC
INDIA
NEW DELHI



This drawing with all its contents is the sole intellectual property of the Hospital Services Consulting Corporation (HSCC) and shall not be used for any other project without the written permission of HSCC. It is prohibited.

LEGEND:

- 1 100 Ø CI SOIL & VENT PIPE
- 2 100Ø CLWASTE & VENT PIPE
- 3 100Ø CI SOIL PIPE
- 4 100Ø CI WASTE PIPE
- 5 50Ø UPVC SOIL PIPE
- 6 40Ø UPVC WASTE PIPE
- 7 32Ø UPVC WASTE PIPE
- 8 TW DN / TAKE
- 9 UTW DN / TAKE
- 150 Ø S.W. PIPE
- F.T FLOOR TRAP 100X100
- F.D FLOOR DRAIN 50Ø
- FCO FLOOR CLEAN OUT
- VALVE
- MH MANHOLE (900X800)mm
- GI GULLY TRAP (300X300)mm

PROJECT

**PROPOSED
100 BEDDED
HOSPITAL
PLUMBING
(UP)**

**TITLE PLUMBING
TENDER DRAWING**

GROUND FLOOR PLAN

HSCC/D&E/PT/HS/TT/PL-01
Drawing No.

| Job No. | Scale | Date |
|---------|-------|------|
| | | |

| App by | Rev. by | Prep. by |
|--------|---------|----------|
| | | |

HSCC (INDIA) LIMITED
(A GOVERNMENT OF INDIA ENTERPRISE)
HSCC
NEW DELHI INDIA